

1.1. Product: VPI Smart Step Resilient Rubber Stair Treads

1.2. Supplier:

VPI Corporation

3123 South 9th Street, Sheboygan, Wisconsin. Tel: (800) 874-4240

Web: <http://www.vpicorp.com>

1.3. Product Description:

VPI Smart Step Rubber Nosing and Cove Sticks are a line of nosing and cove sticks that are available to complete the Smart Step Product portfolio. The Smart Step Nosing and Cove Sticks are developed as a coordinated stairwell management system consisting of wall base, landing tile, stair treads, nosing, and coves sticks in matching colors. Smart Stair Nosing are offered in 7 colors with matching landing tile and wall base. The Cove Sticks are only offered in a natural color.

1.3.1. Construction:

VPI Smart Step Rubber Nosing and Cove Sticks are manufactured from a homogeneous composition of rubber, high quality additives, and colorants to meet the performance requirements of ASTM F 2169 Standard Specification for Resilient Stair Treads, Type TP Rubber, Class 2, Group 1 and 2, Grade 1.

1.3.2. VPI Nosings:

1. ACC302XX 1/8" Overlap Nosing – Standard Nose, 2.50" x 2.00" x .20 thick. See drawing ACC302XX.
2. ACC304XX 1/4" Undercut Carpet Nosing – Standard Nose, 2.50" x 1.75" x .38" thick. See drawing ACC304XX.
3. ACC306XX Double Under Cut Carpet Nosing – Standard Nose, 2.25" x 2.00" x .38" thick. See drawing ACC306XX.
4. ACC3320XX 1/8" Light Duty Commercial Nosing – Standard Nose, 1.375" x 1.125" x .125 thick. See drawing ACC320XX.

1.3.3. VPI Cove Stick:

1. ACC06 Cove Stick(natural color only) – Standard duty cove stick, 1.125" x .125" thick

2. PRODUCT PERFORMANCE AND TECHNICAL DATA: NOSING

- 2.01. ASTM F2169 Standard Specification for Resilient Stair Treads. Meets All Requirements: Type TP Rubber, Class 2, Groups 1 and 2, Grade 1
- 2.02. ASTM D2240 Shore A Hardness – 95 Shore A
- 2.03. ASTM F1514 Heat Stability Color Change - $\Delta E^* < 4.8$
- 2.04. ASTM F1515 Light Stability Color Change – $\Delta E^* < 4.2$
- 2.05. ASTM E648 Flammability – 0.83/Class 1
- 2.06. ASTM E662 Smoke – 328 (Flaming), 137 (Non-Flaming)
- 2.07. ASTM D2047 Static Coefficient of Friction – Leather 0.64
- 2.08. ANSI B101.1 Static Coefficient of Friction – 0.57
- 2.10 California Title 24 compliant to CA code 11B-504.4.1
- 2.10. ASTM F925 Chemical Resistance – Very Good – No More Than Slight Changes
- 2.11. Gauge – Depends on model.
- 2.12. Sizes – 144”
- 2.13. Depth – Depends on model.
- 2.14. Floorscore certified to SCS-EC10.3-2014 v4.0, registration # SCS-FS-05283
- 2.15. Nosing Depth – Depends on model.
- 2.16. Nosing Radius – 0.25”

3. ADHESIVES:

3.1. VPI 503 Acrylic Adhesive

VPI 503 is a solvent free, one part acrylic wet set adhesive approved for all types of sub-floors on or above grade. The adhesive is good for porous and non-porous areas.

Substrate requirements are MVER<6lbs, RH ≤85%, pH of 7 – 11.

Trowel type: 1/16” x 1/16” Square Notched Trowel.

Coverage: 90 - 135 ft² / gal, depending on porosity of substrate, application style and environment. In applications demonstrating spread rates that are less than 90 ft², additional adhesive should be purchased as required. **See label for detailed application instructions.**

3.2. VPI NC-2 Nose Caulk

VPI NC-2 is a solvent-free, two-component Epoxy Nose-Caulking Compound designed for use with rubber stair treads. It's a non-flammable, high-performance epoxy adhesive, recommended for indoor stair installations over porous and non-porous substrates. It is recommended for round nosing, providing support to the nose or rubber stair treads. Stairs (substrate) must be structurally sound, dry, clean and free of dirt, dust, grease, paint, curing compounds, sealers, or any other extraneous material which may interfere or compromise adhesion. Application over concrete stairs requires the concrete to be fully cured and dry. Adequate adhesive must be applied to the corner of the stair tread nose so that when placed into position all voids are filled. **See Nose-Caulk label for detailed application instructions.**

4. ENVIRONMENTAL STANDARDS

4.1 Contributes towards LEED Credit V4 option 2 Low emitting materials, indoor environmental quality, FloorScore Certification, CHPS 2.2.3; Flooring Systems

4.2. CALGreen, CA Code of Regulations title 24, Part II,2010, Sections 4.504.4/5.504.4.6: Resilient Flooring Systems

4.3. ANSI/ASHRAE/USGBC/IES Standard 189.1-2009,Section 8.4.2.3: Floor Covering Materials

4.4. Collaborative for High Performance Schools(CHPS) rating system, 2009 Criteria EQ2.2.3: Flooring Systems

4.5. Green Guide for Healthcare, V2.2, 2007, EQ Credit 4.3: LEM-Flooring Systems

5. INSTALLATION: See installation sheets for detailed instructions.

The areas to receive stair treads should be clean and maintained at a uniform temperature between 65°F and 85°F° before, during, and after installation is complete. The stair treads and adhesives need to be conditioned in the same manner, by acclimating them in the same space for a period of 48 hours prior to installation. Boxes need to be kept out of direct sunlight or close proximity to air conditioning units.

Sub-floor preparation needs to follow detailed instructions on instruction sheet. Use the instruction details regarding a butt joint or lap joint under the nose. Note specific instructions with regards to porous and nonporous subfloors and when to lay treads after applying the adhesive.

6. MAINTENANCE:

Stair treads should be maintained by hand, with maintenance procedures not to begin until 2 days after installation. Follow maintenance instructions as detailed in the installation instruction manual.

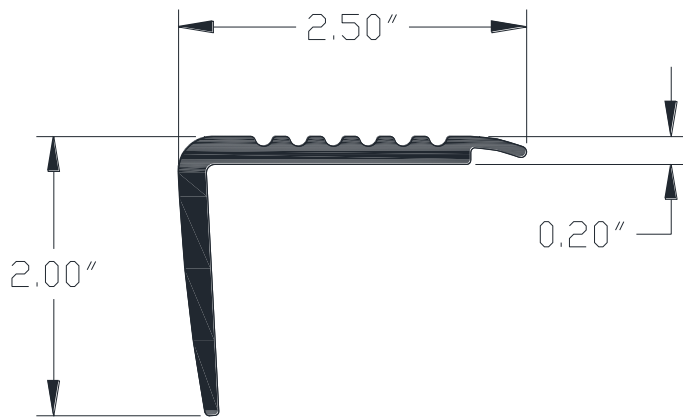
7. AVAILABILITY AND COST

Available from VPI and VPI Distributors Nationwide.

Nosings available in Jet, Pewter, London Fog, Spice, Café Au Lait, Burnt Umber, and Charcoal colors. Cove Sticks available only in natural color.

8. WARRANTY

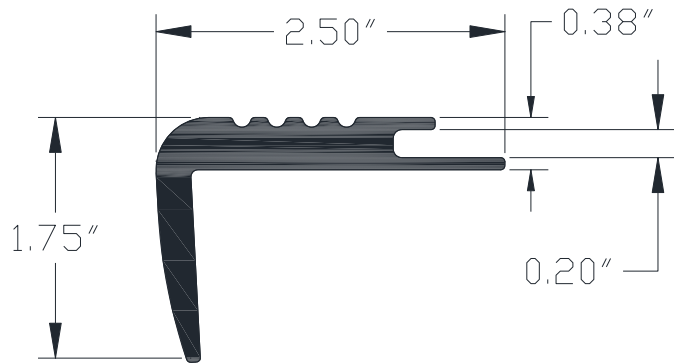
Limited 12 year warranty against defects in manufacturing and workmanship (Treads and Tapes). For complete details, contact VPI Corporation.



ACC302 1/8" Overlap
Nosing

NOTE: STANDARD TOLERANCES
APPLY TO ALL DIMENSIONS

VPI Corporation 3123 S. 9th Street Sheboygan, WI 53082			
TITLE ACC302 Nosing			
DRAWN BY DWT	SCALE 1:1	DRAWING NO.	SIZE
DATE 08/20/19	APP'D BY	ACC302	

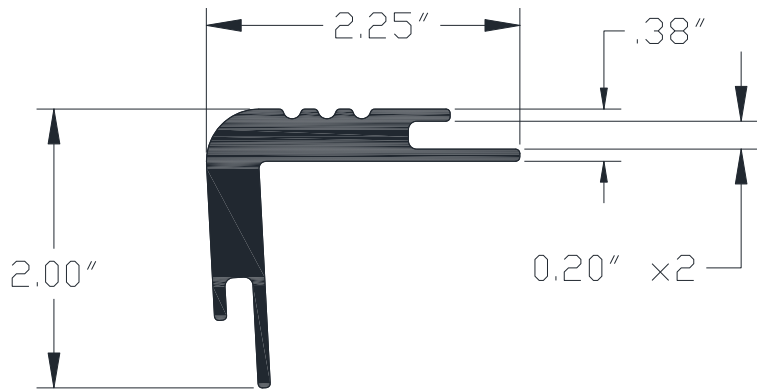


ACC304 1/4" Undercut
Carpet Nosing

NOTE: STANDARD TOLERANCES
APPLY TO ALL DIMENSIONS

VPI Corporation
3123 S. 9th Street
Sheboygan, WI 53082

TITLE ACC304 Nosing			
DRAWN BY DWT	SCALE 1:1	DRAWING NO:	SIZE
DATE 08/20/19	APP'D BY	ACC304	

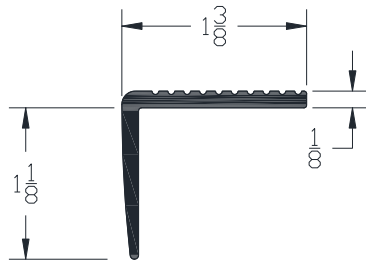


ACC306 1/4" Double
Undercut Carpet Nosing

NOTE: STANDARD TOLERANCES
APPLY TO ALL DIMENSIONS


VPI Corporation
3123 S. 9th Street
Sheboygan, WI 53082

TITLE			
ACC306 Nosing			
DRAWN BY	DWT	SCALE	1:1
DATE	08/20/19	APP'D BY	
DRAWING NO.			SIZE
ACC306			



ACC320 1/8" Light Duty
Commercial Nosing

NOTE: STANDARD TOLERANCES
APPLY TO ALL DIMENSIONS

		3123 S. 9th St. Sheboygan, WI 53081	
TITLE 1/8" Light Duty Comm Nose			
DRAWN BY DWT	SCALE 1:1	DRAWING NO. ACC320	SIZE
DATE 09/12/19	APP'D BY	ACC320	